

TB-ISM-LMSW-01

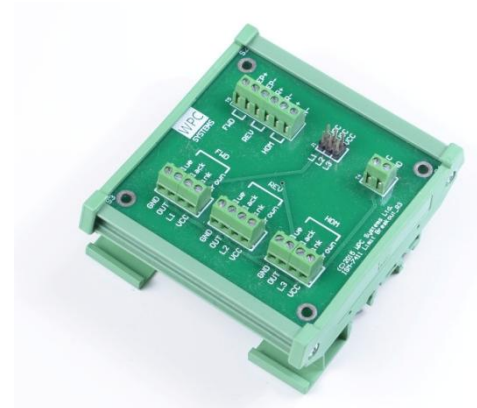
極限開關快速端子台

user manual

WPC Systems Ltd.

YHC, Justin Wu

2016-09-29



Purpose

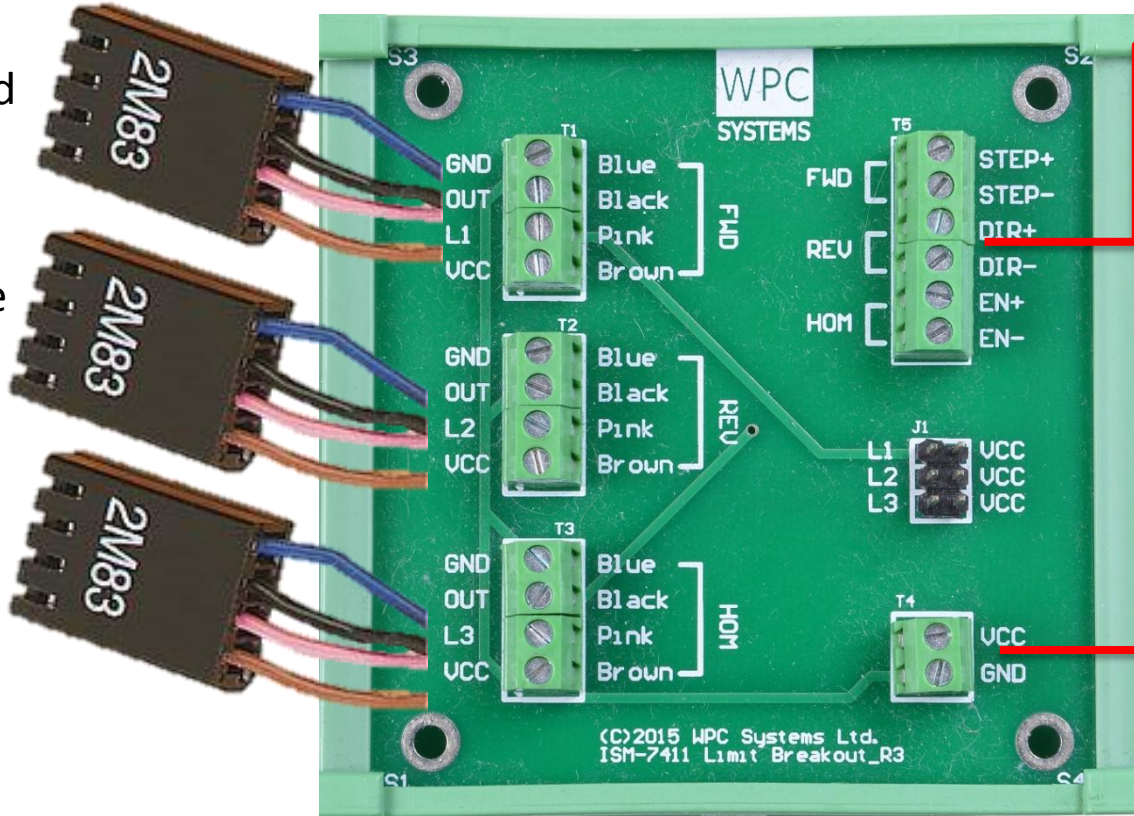
- OMRON EE-SX-67x limit switches compatible.
- NI ISM-7411 / 7412 Ethernet motors
- Quick connection between limit switches and motors.

TB-ISM-LMSW-01

Forward

Reverse

Home



NI Ethernet motor
(ISM-7411/7412)

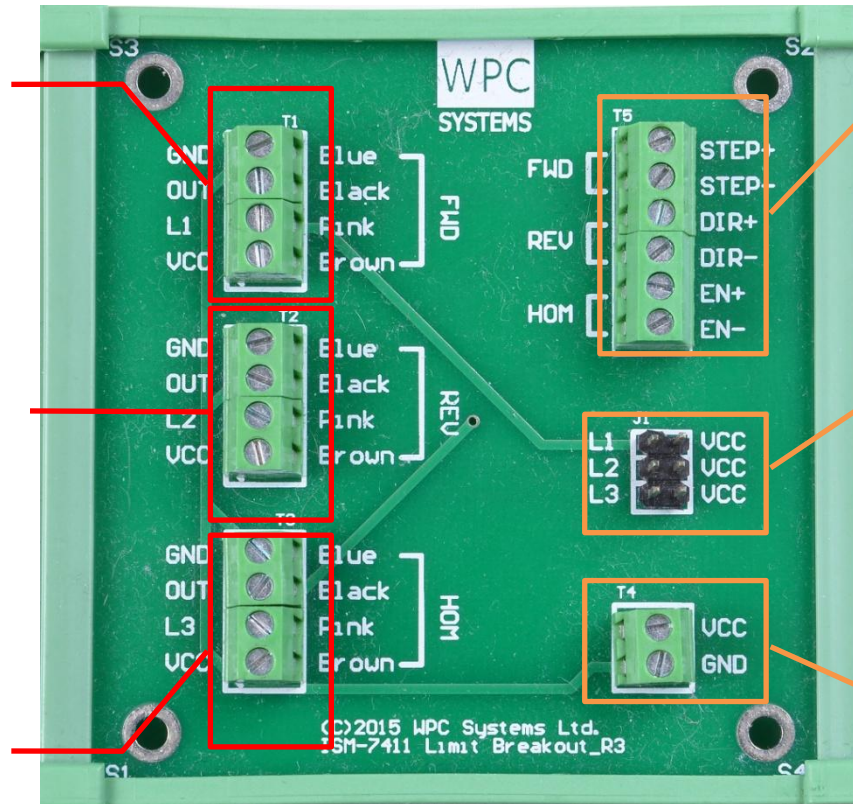


24VDC power supply

1	GND	FWD
2	OUT	
3	L1	
4	VCC	

1	GND	REV
2	OUT	
3	L2	
4	VCC	

1	GND	HOM
2	OUT	
3	L3	
4	VCC	

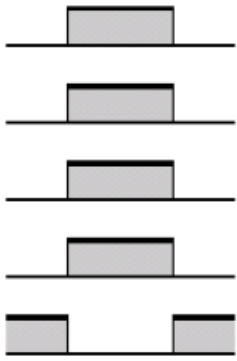
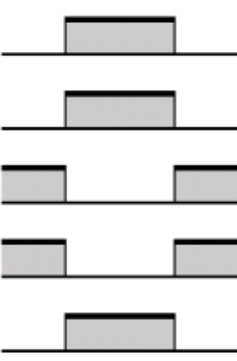


Connect to ISM-7411

Active High/Low selection

Power input
5 to 24VDC

Active High/Low selection

電晶體輸出之動作狀態	時序圖	連接端子
入光時 ON	<p>入光時 遮光時</p> <p>入光顯示燈 亮燈 (紅) 熄燈</p> <p>輸出 ON 電晶體 OFF</p> <p>負載 1 動作 (繼電器等) 復歸</p> <p>負載 2 H L</p> 	<p>Ⓕ ~ ⊕ 之間 短路時</p>
遮光時 ON	<p>入光時 遮光時</p> <p>入光顯示燈 亮燈 (紅) 熄燈</p> <p>輸出 ON 電晶體 OFF</p> <p>負載 1 動作 (繼電器等) 復歸</p> <p>負載 2 H L</p> 	<p>Ⓕ ~ ⊕ 之間 開放時</p>

Limit switch signal connection

