



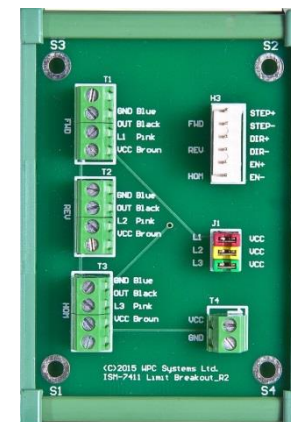
WPC – ISM - Interface user manual

WPC Systems Ltd.

Shannon Chiu

2015-10-02

(C)2015 WPC Systems Ltd. All rights reserved.

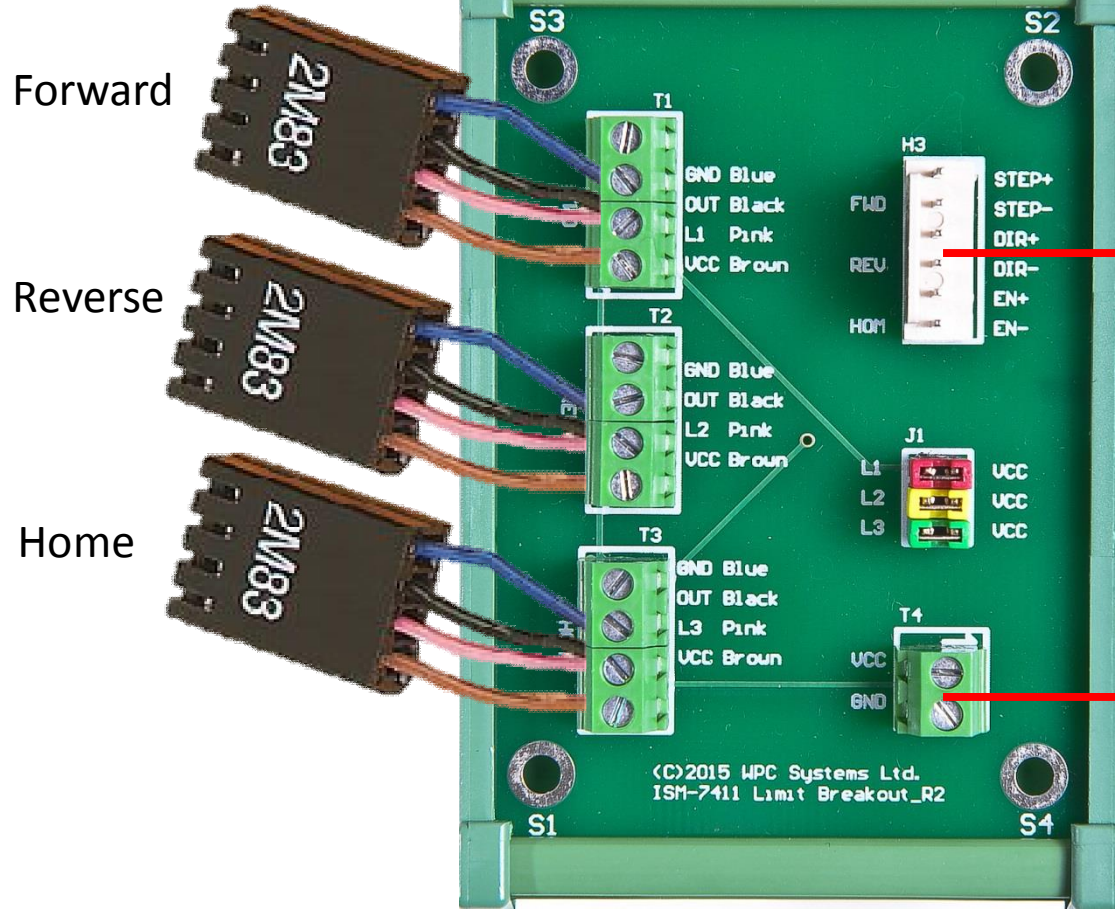


Purpose

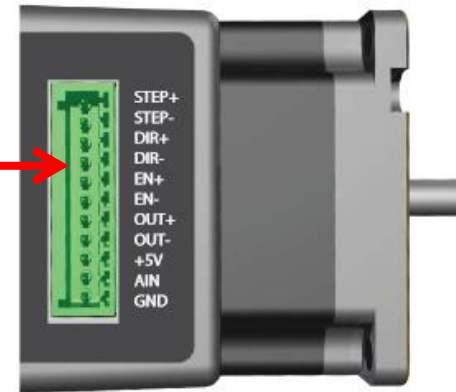
- “ OMRON EE-SX-67x limit switches compatible.
- “ NI ISM-7411 / 7412 Ethernet motors
- “ Quick connection between limit switches and motors.



WPC-ISM-interface



NI Ethernet motor
(ISM-7411/7412)



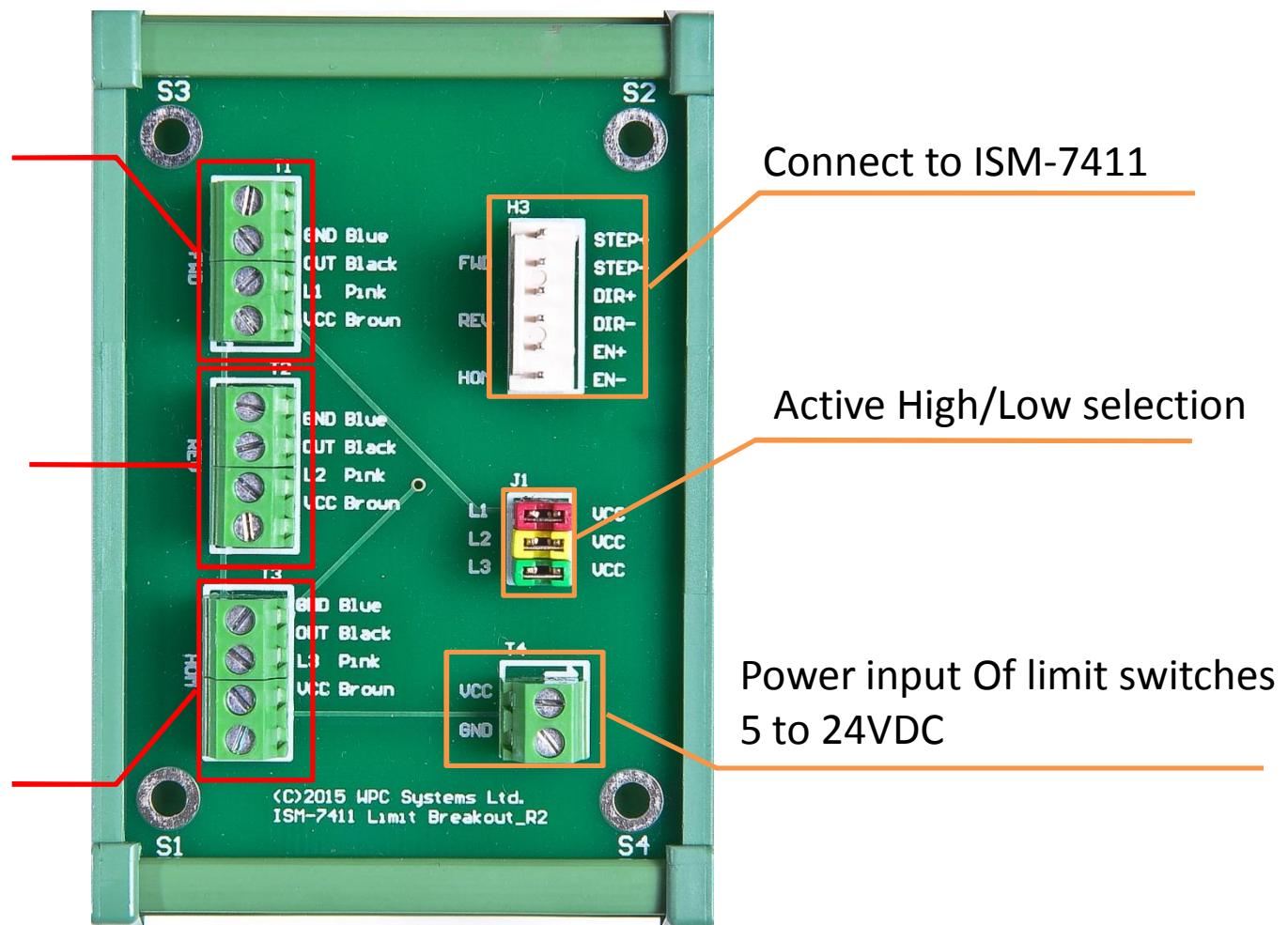
NI - Power supply



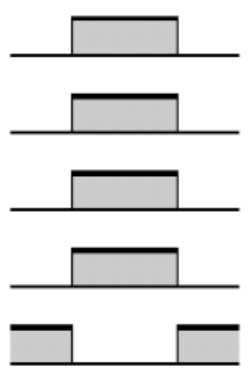
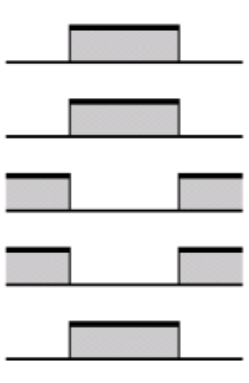
1	GND	FWD
2	OUT	
3	L1	
4	VCC	

1	GND	REV
2	OUT	
3	L2	
4	VCC	

1	GND	HOM
2	OUT	
3	L3	
4	VCC	



Active High/Low selection

電晶體輸出之動作狀態	時序圖	連接端子
入光時 ON	<p>入光時 遮光時</p> <p>入光顯示燈 亮燈 熄燈</p> <p>(紅) 輸出 ON OFF</p> <p>電晶體 動作 復歸</p> <p>負載 1 (繼電器等) H L</p> <p>負載 2</p> 	<p>Ⓕ ~ ⊕ 之間 短路時</p>
遮光時 ON	<p>入光時 遮光時</p> <p>入光顯示燈 亮燈 熄燈</p> <p>(紅) 輸出 ON OFF</p> <p>電晶體 動作 復歸</p> <p>負載 1 (繼電器等) H L</p> <p>負載 2</p> 	<p>Ⓕ ~ ⊕ 之間 開放時</p>

Limit switch signal connection

