

# WPC-24ch-5V-TTL user manual

WPC Systems Ltd.

YHC, Justin

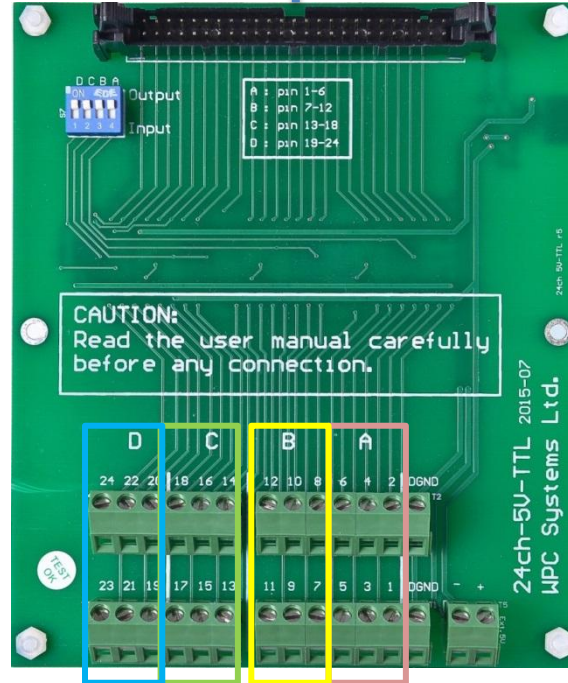
2016-09-30



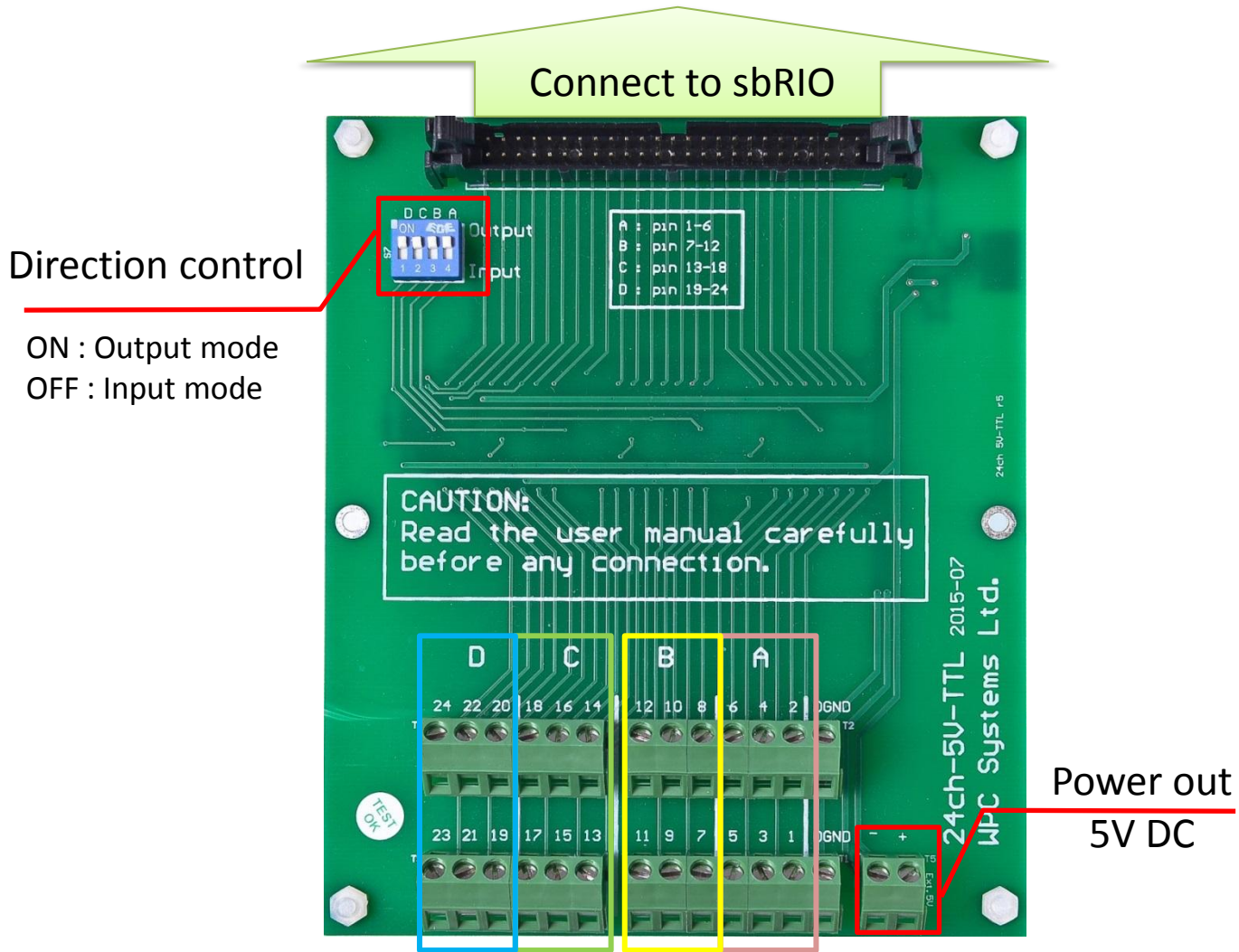


Power supply

IDC 50P 連接線



4-bank, 5V TTL DIO



# Pin assignment

<b>Bank</b>	<b>A</b>						<b>B</b>					
<b>5V pin</b>	1	2	3	4	5	6	7	8	9	10	11	12
<b>sbRIO-DIO</b>	3	5	7	9	11	13	15	17	19	21	23	25

<b>Bank</b>	<b>C</b>						<b>D</b>					
<b>5V pin</b>	13	14	15	16	17	18	19	20	21	22	23	24
<b>sbRIO-DIO</b>	27	29	31	33	35	37	39	41	43	45	47	49

