

WPC-1ch-PGA user guide

WPC Systems Ltd.

Justin Wu

2023-05-15

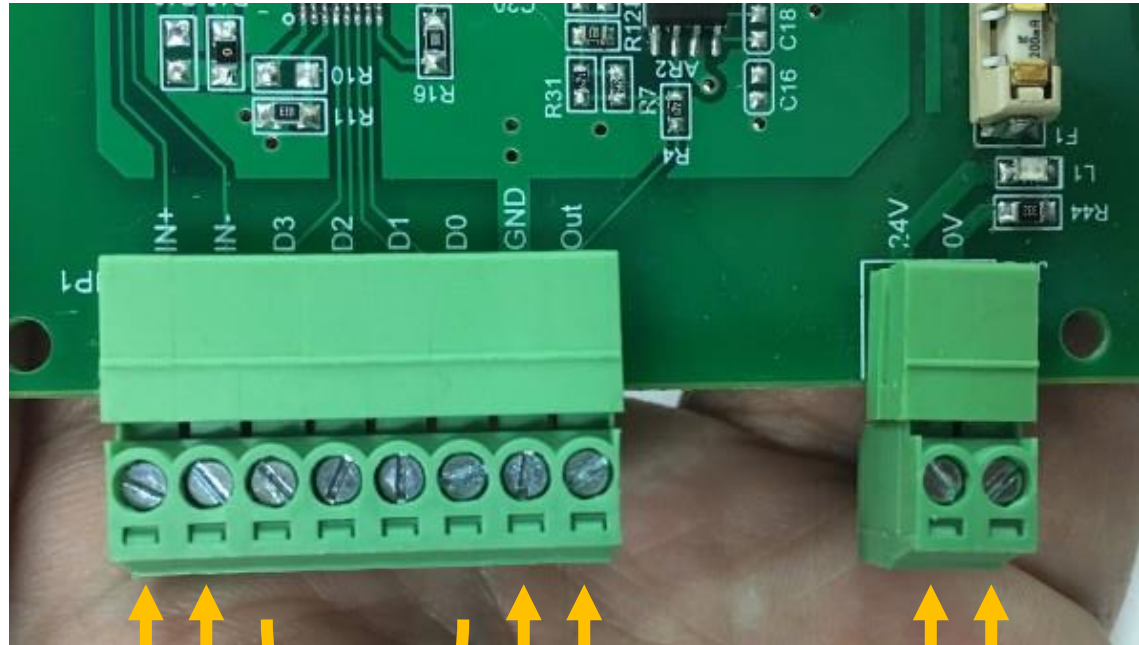


Specification

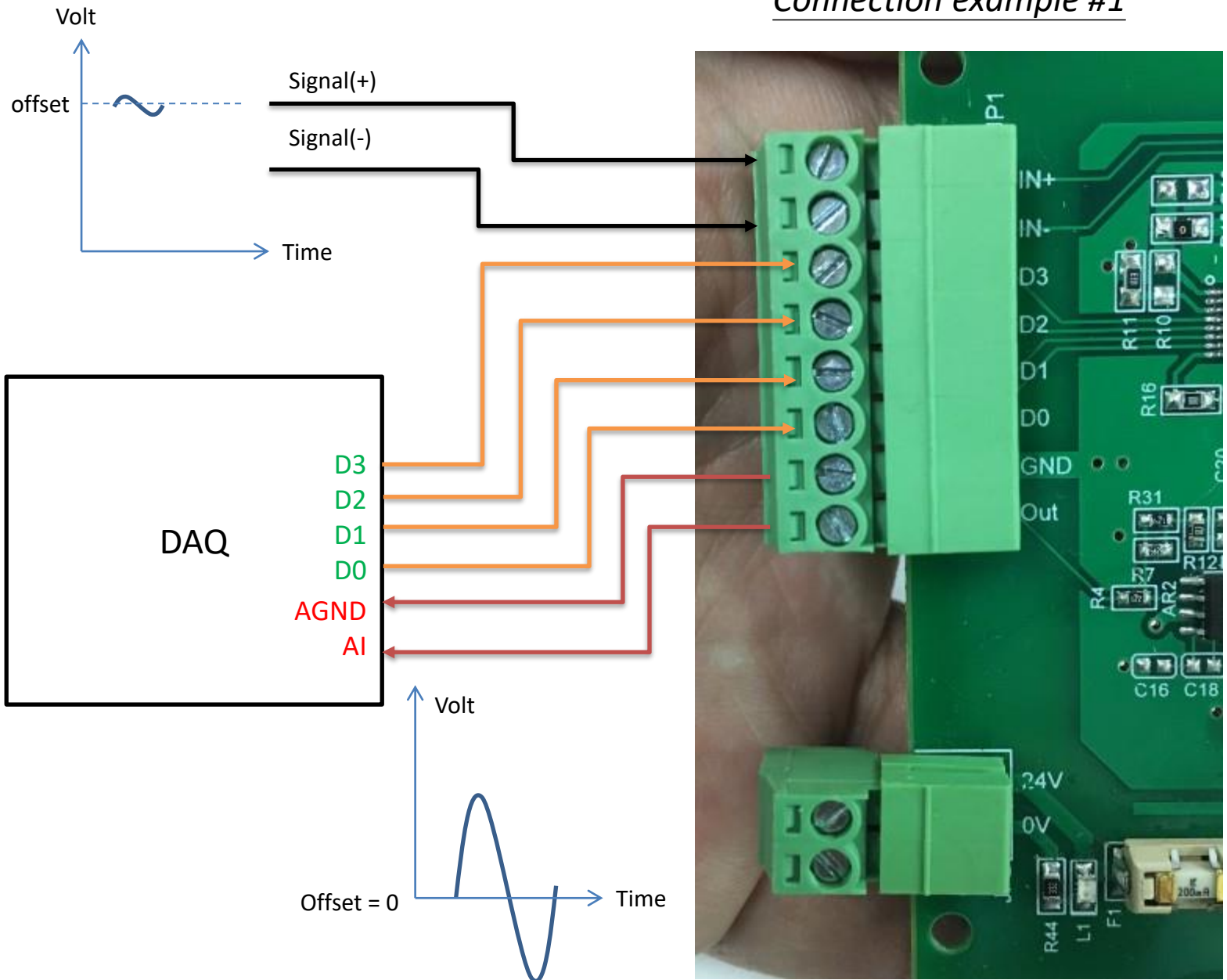
- Supply voltage: 24VDC
- Programmable gain: 0.125 to 128 (D0:3)
- Differential input, single-end output
- Input/Output voltage range: +/-10V
- Channel-to-GND isolation
- built-in EMI filter, Low pass filter
- Bandwidth: 9KHz
- CMRR = 140dB

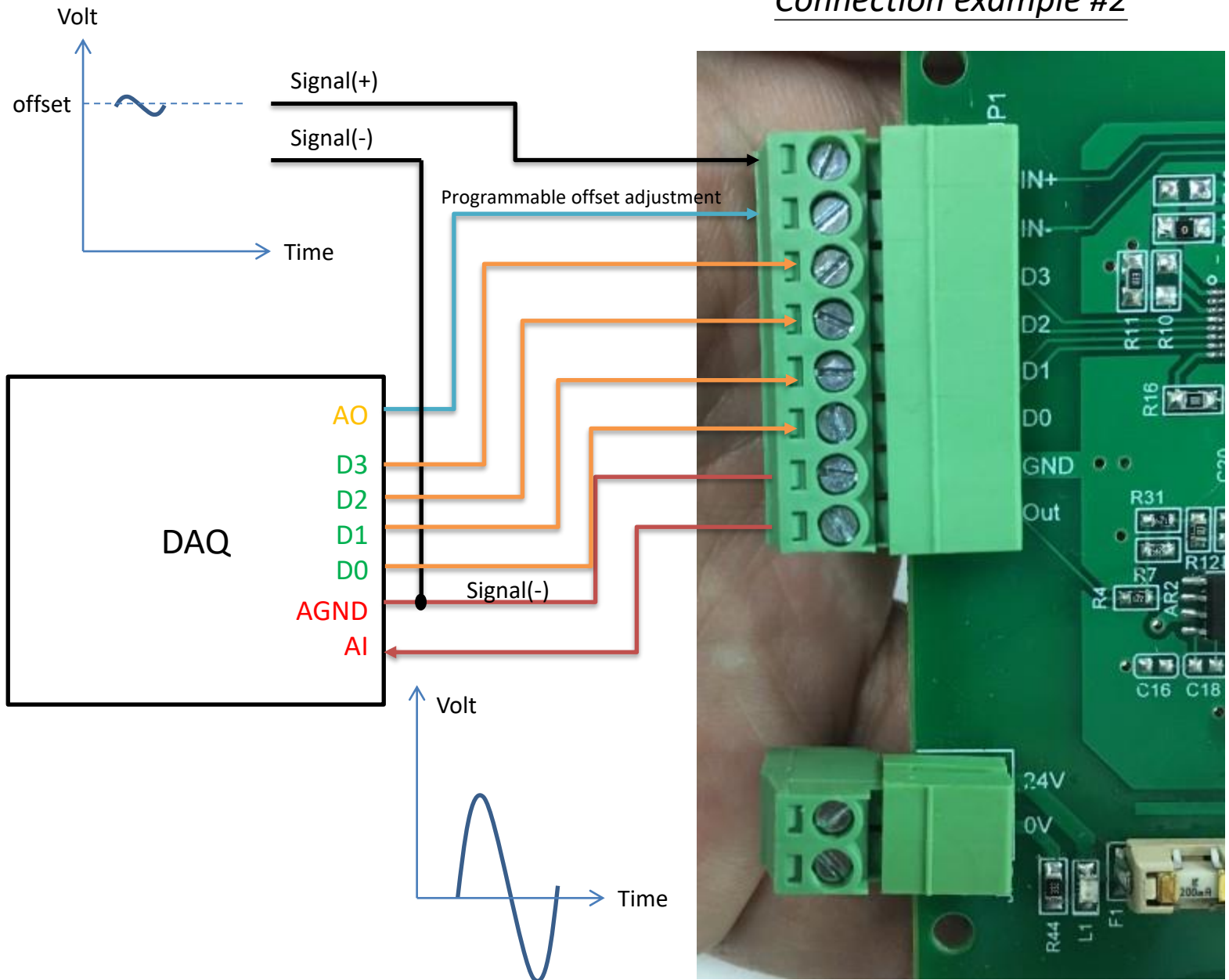
Module pinout

D3:0	Gain
0000	0.125
0001	0.25
0010	0.5
0011	1
0100	2
0101	4
0110	8
0111	16
1000	32
1001	64
1010	128



Connection example #1





Dimensional drawing

