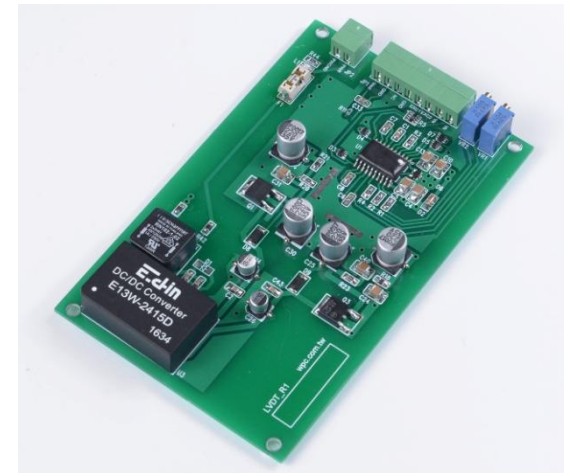


# LVDT Signal Conditioner

WPC Systems Ltd.

YHC, Justin Wu

2017-03-21

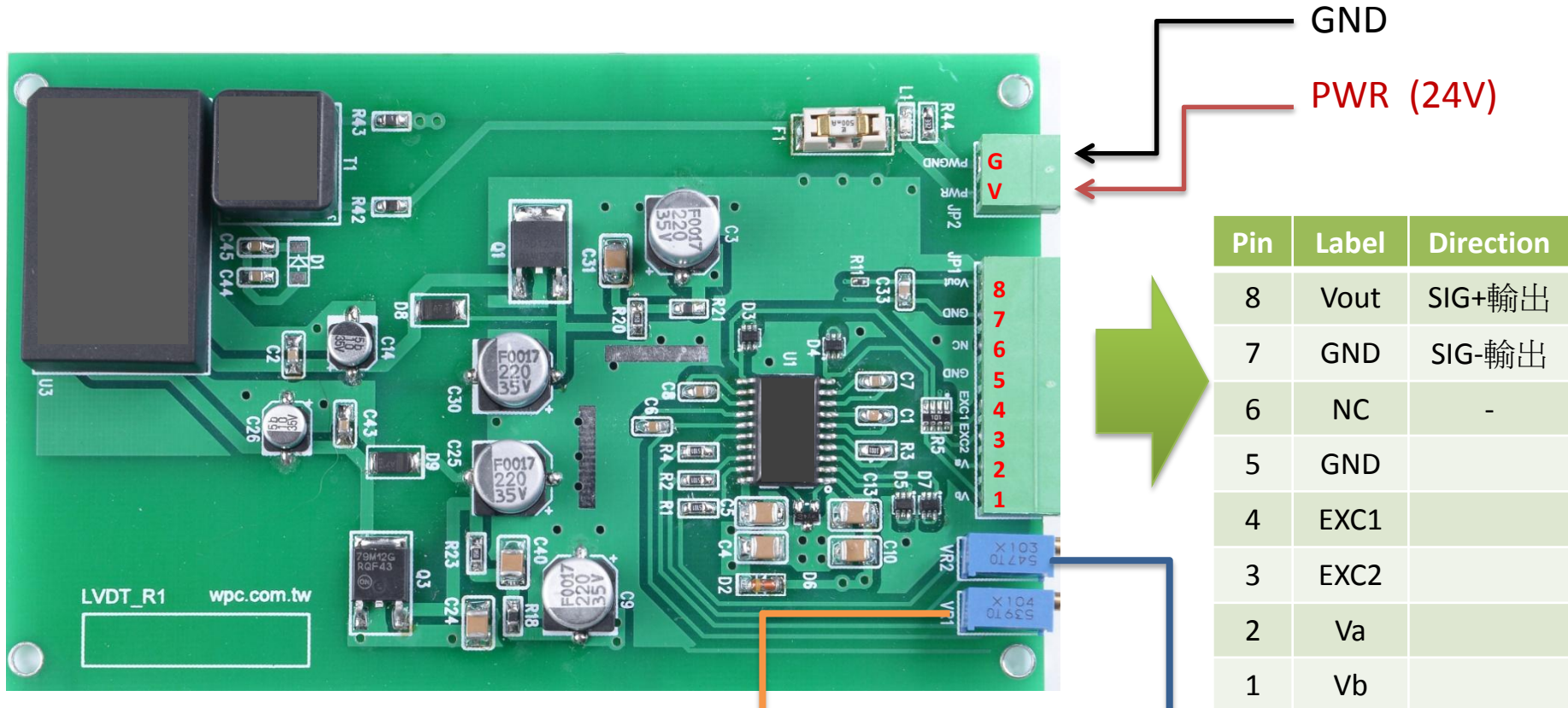


# LVDT

## 1.1. Connector Pinouts

## 1.2. 配線圖

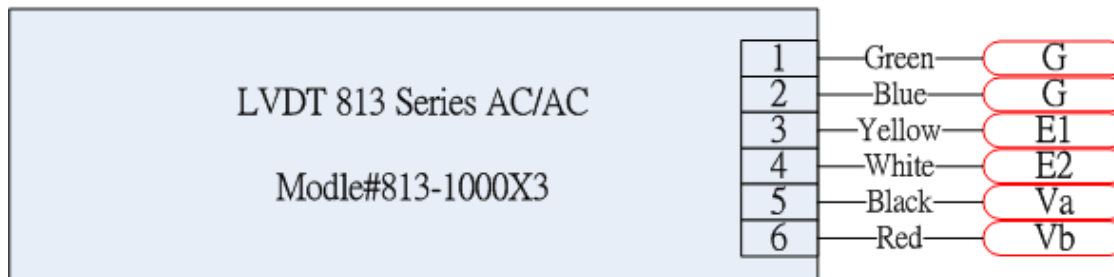
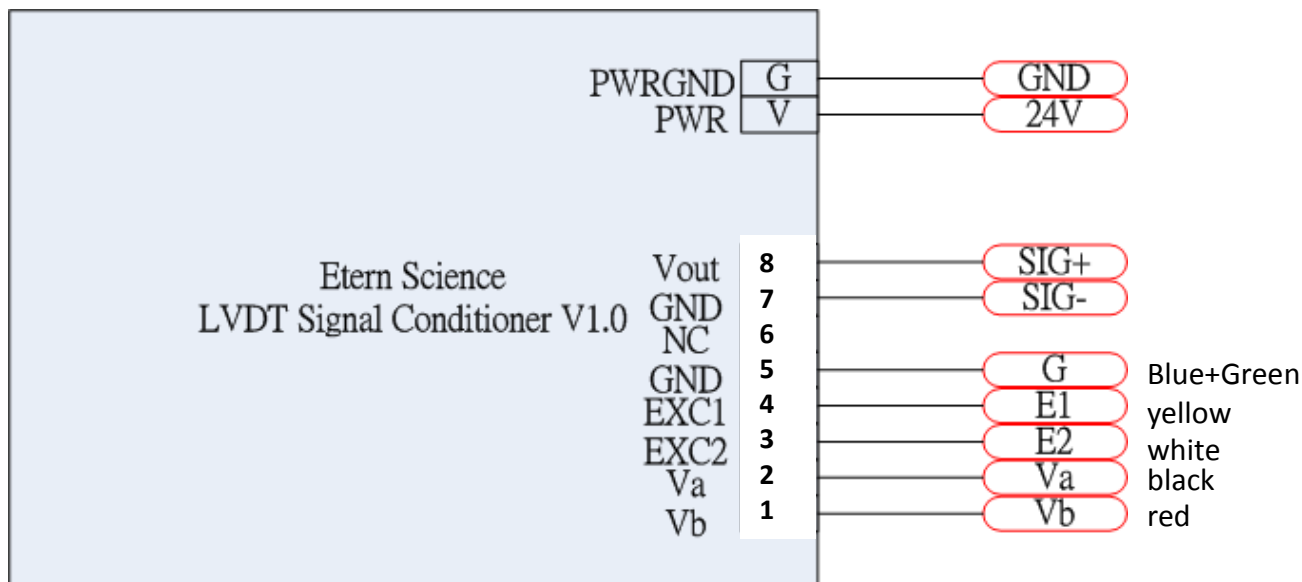
# 1.1. Connector Pinouts

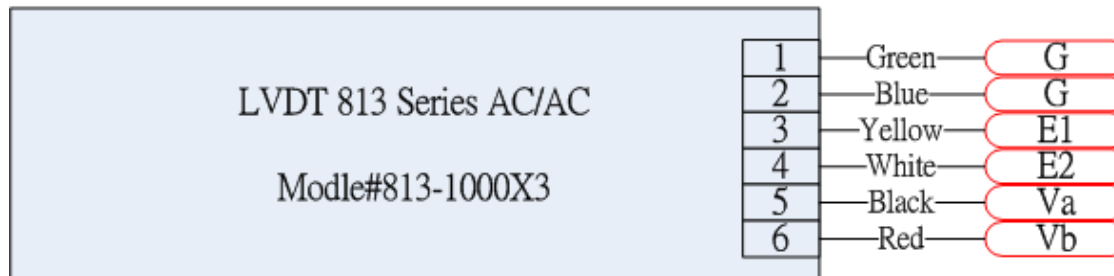
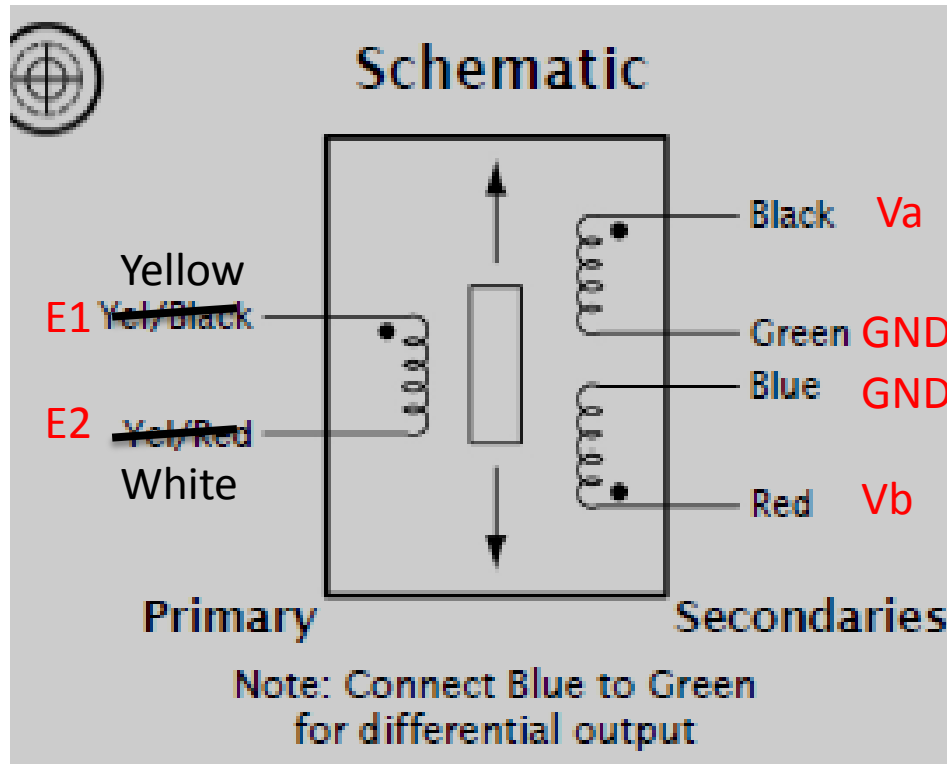


Gain tuning :  
順時針轉high ; 逆時針轉low

Offset tuning : +9.9V ~ -9.7V  
順時針轉down ; 逆時針轉up

# 1.2. 配線圖





# 附錄A

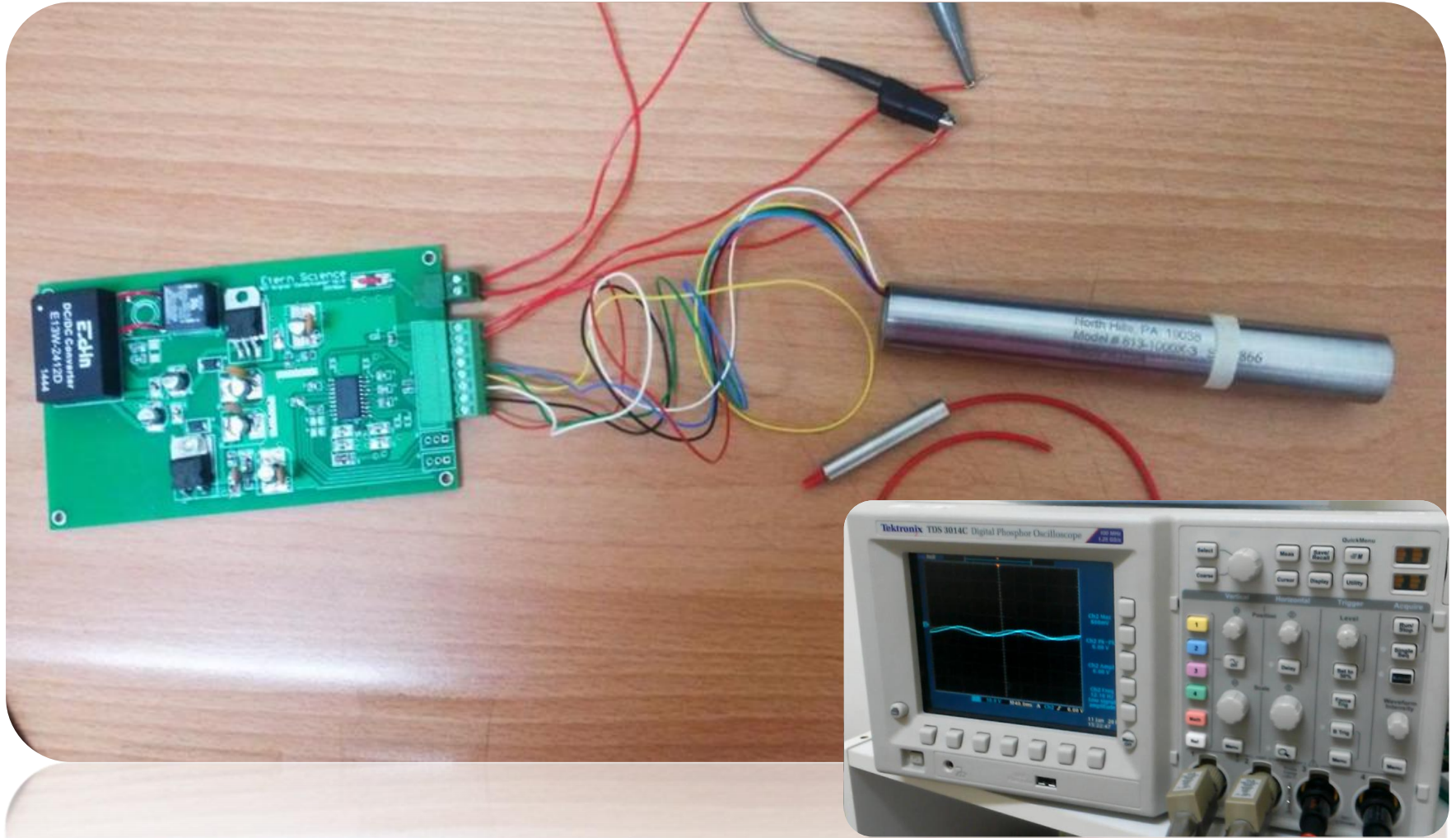
A1. 雜訊

A2. 測試圖

A3. LVDT-813 Series

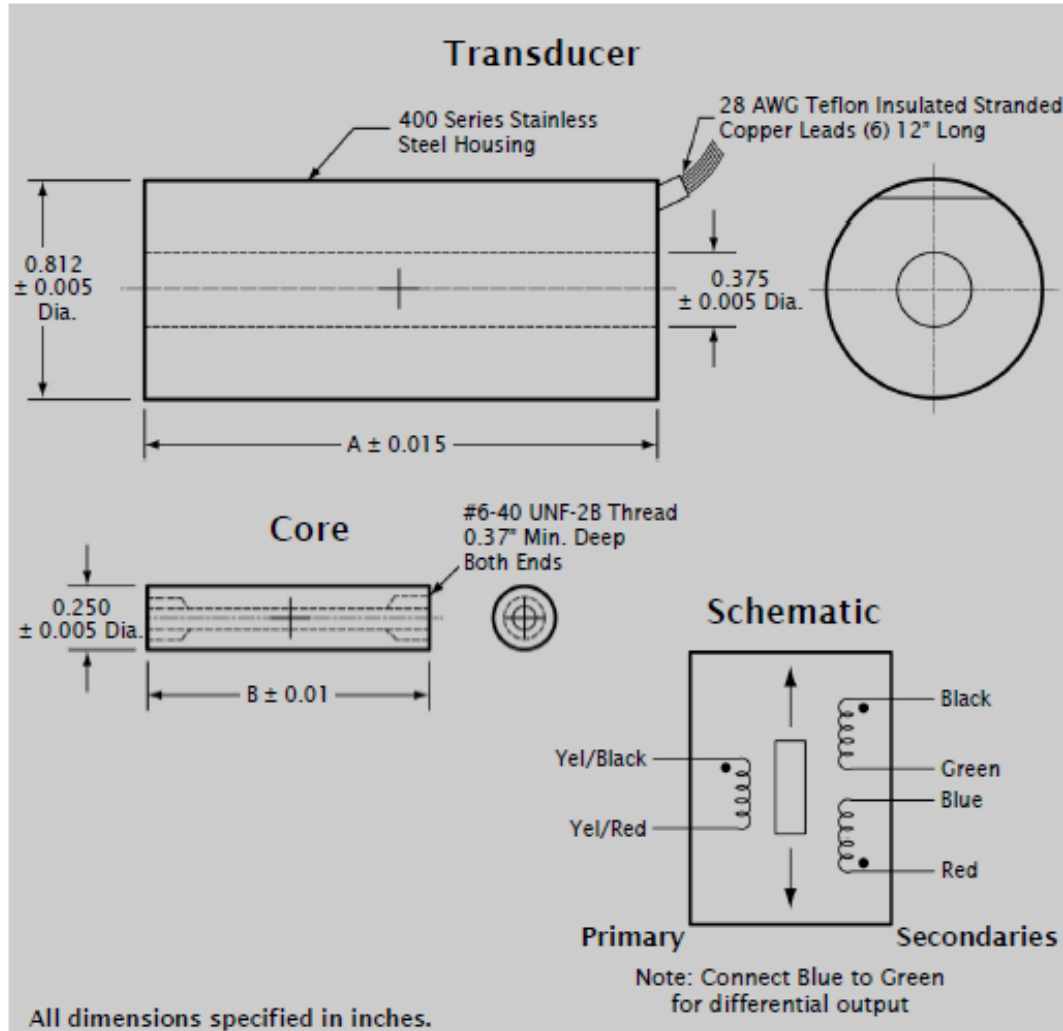
A4. LVDT-813-1000 datasheet

# A2. 測試圖



# A3. LVDT-813 Series

## DIMENSIONS AND WIRING





# A4. LVDT-813-1000 datasheet

## Technical Specifications @ 2.5 kHz

Models	Linear Range (inches)	Sensitivity (mV <sub>out</sub> /mil/V <sub>in</sub> )	Coil Length "A" (inches)	Core Length "B" (inches)
813-00-050	±0.050	6.3	1.13	0.80
813-00-100	±0.100	4.5	1.81	1.30
813-00-200	±0.200	2.5	2.50	1.65
813-00-300	±0.300	1.4	3.23	1.95
813-00-500	±0.500	0.70	5.50	3.45
813-01-000	±1.000	0.39	6.64	4.00
813-02-000	±2.000	0.23	10.05	5.30
813-03-000	±3.000	0.27	12.89	5.60
813-05-000	±5.000	0.15	18.00	7.00
813-10-000	±10.000	0.08	31.04	8.50

## PERFORMANCE

Non-Linearity ±0.25% of Full Scale

Operating Temperature Range -55°F to 300°F (-50°C to 150°C)

## ELECTRICAL

Input Voltage 3 Volts AC RMS (Nominal)

Input Frequency 400 Hz to 10 kHz

Null Voltage Less than 0.5 % of Full Scale Output

# Dimensional drawing

