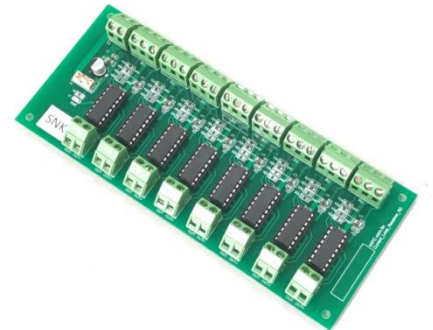


# 8ch 4-20mA to 0-5V converter

WPC Systems Ltd.

Justin Wu

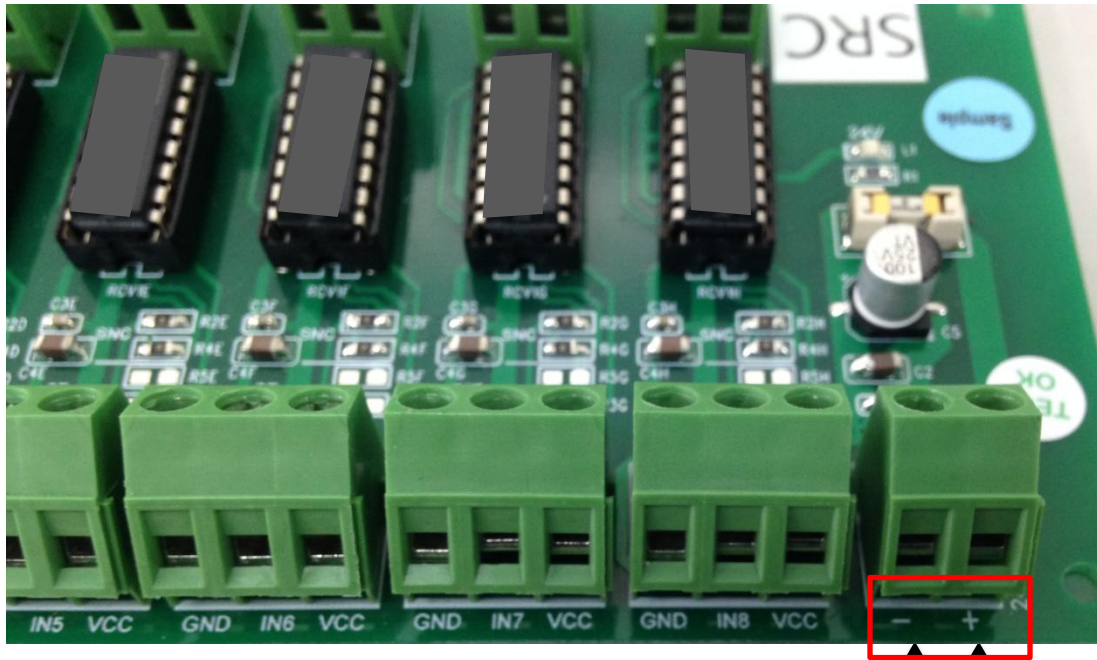
2017-10-16



# Specification

- Num of channel: 8
- Input: 4-20mA
- Output: 0-5V (differential)
- Overall conversion accuracy: 0.1%
- CMR: 86dB
- Power supply: 24VDC

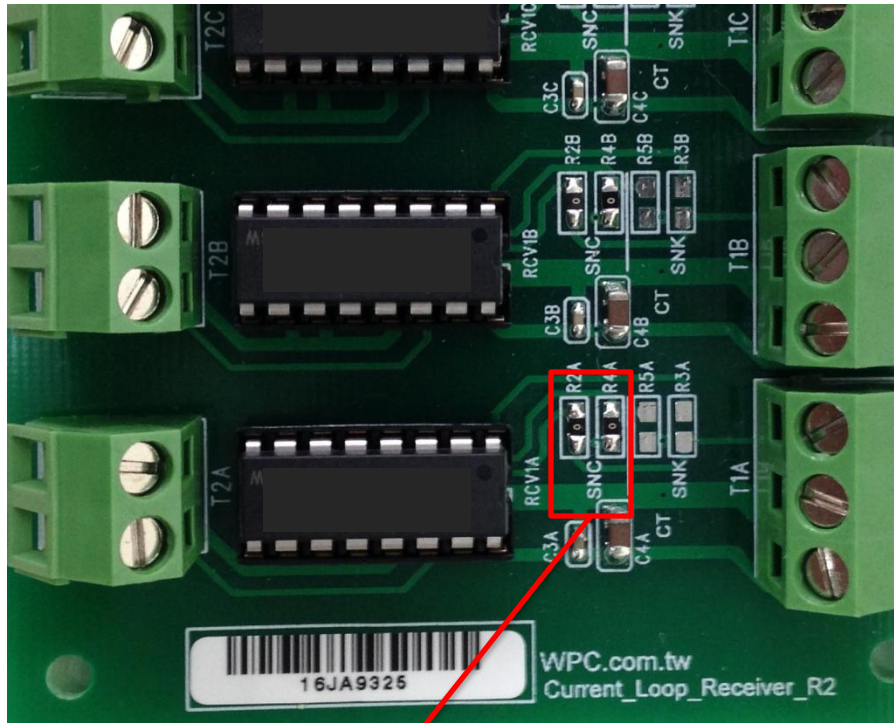
# Power connection



GND 24V

# 版本判斷

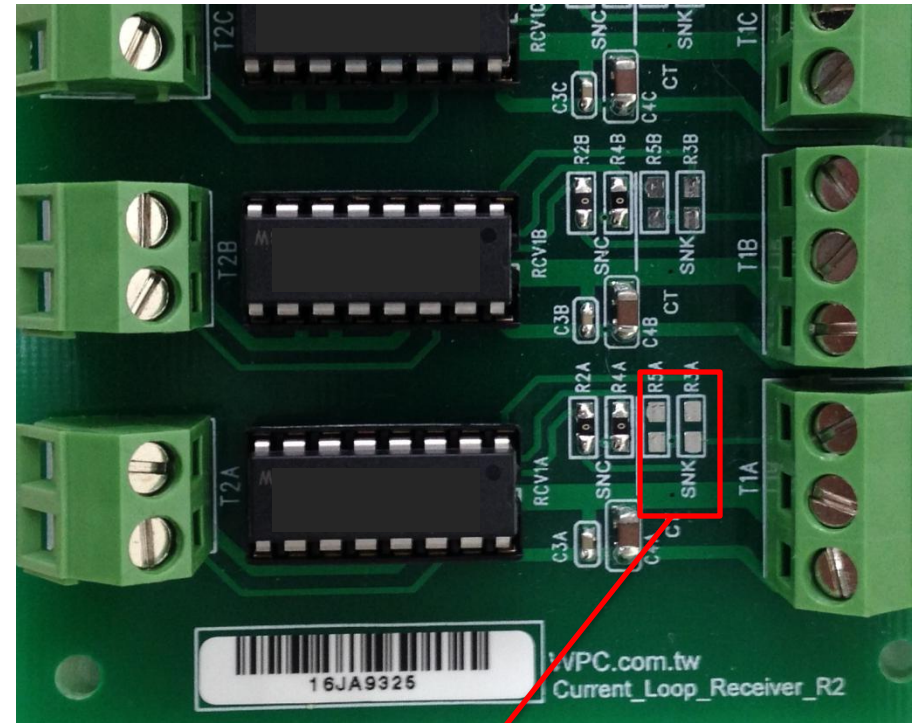
Sourcing input version



電阻的上件位置  
並且有SRC字樣



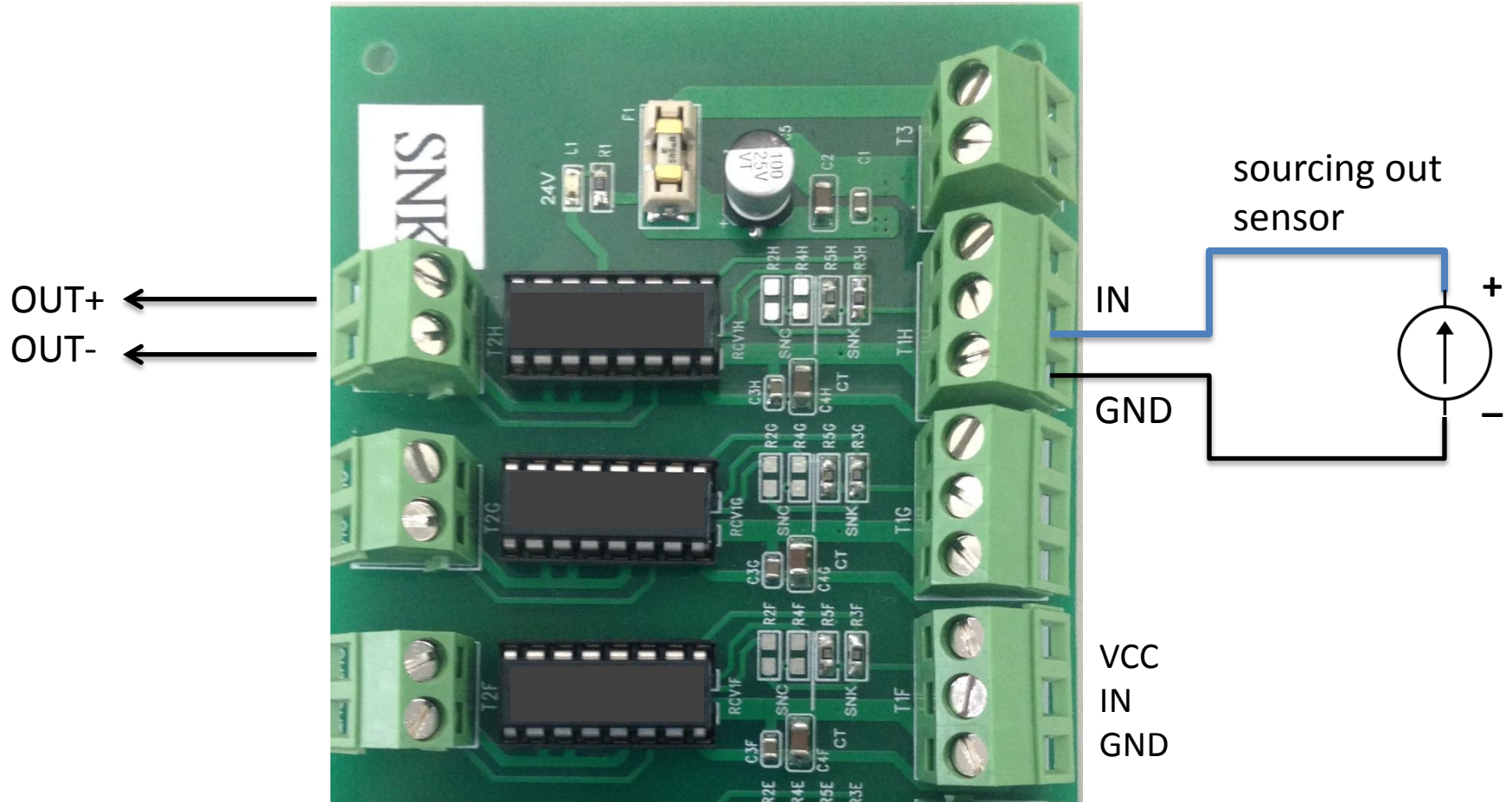
Sinking input version



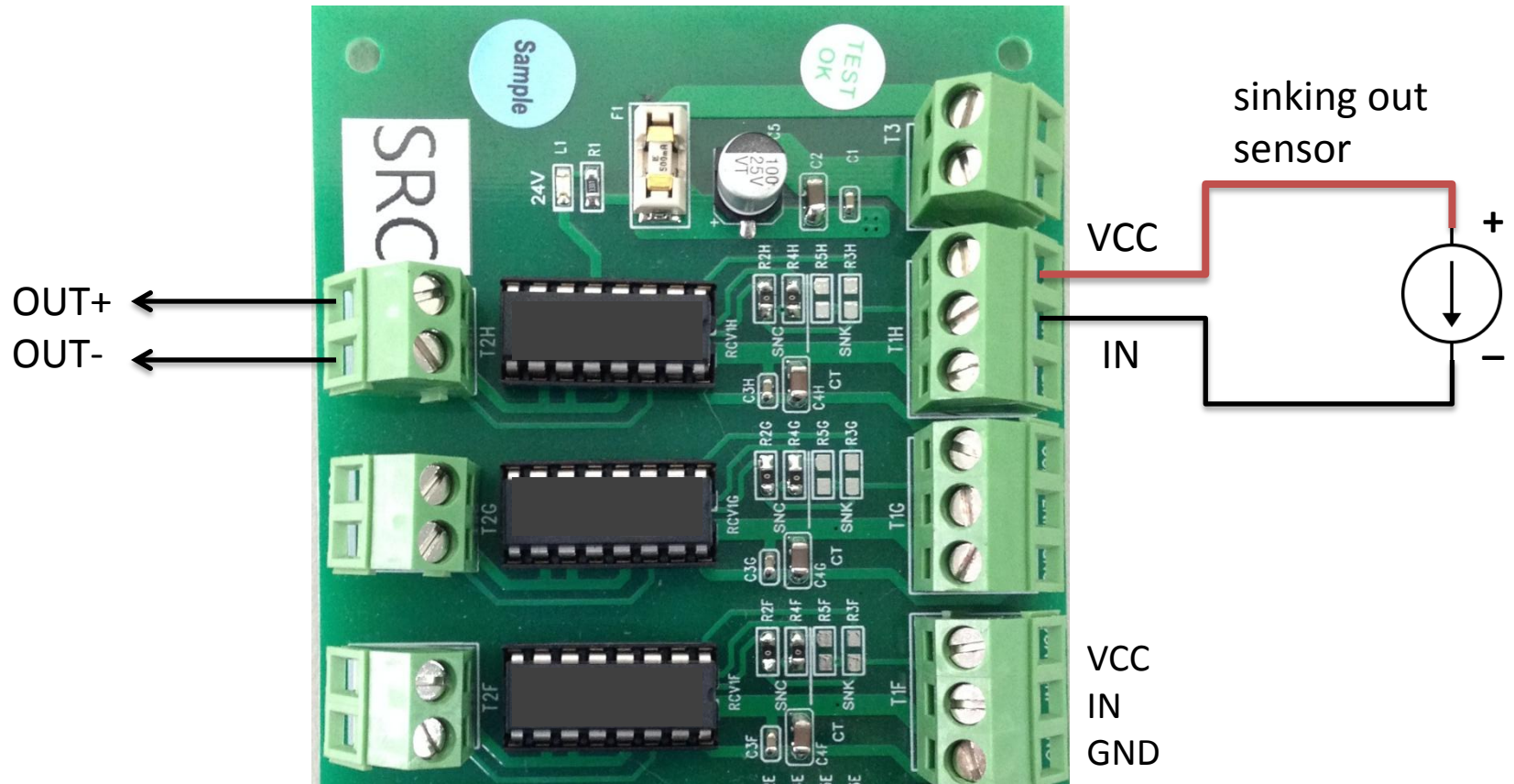
電阻的上件位置  
並且有SNK字樣



# Sinking input version



# Sourcing input version



# Dimensional drawing

