

8ch Current to Voltage converter (single-ended output)

WPC Systems Ltd.

Justin Wu

2020-03-18

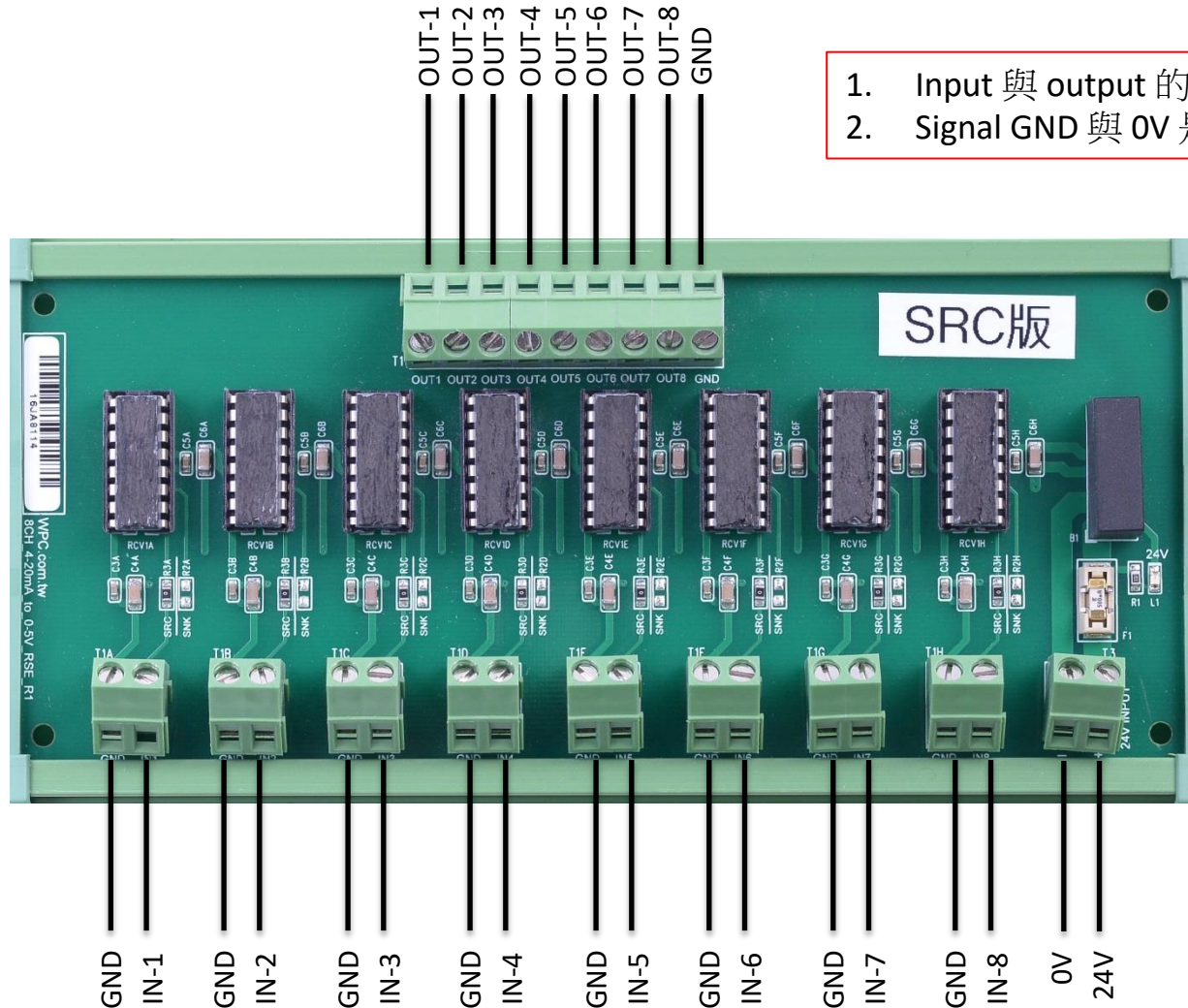


Specification

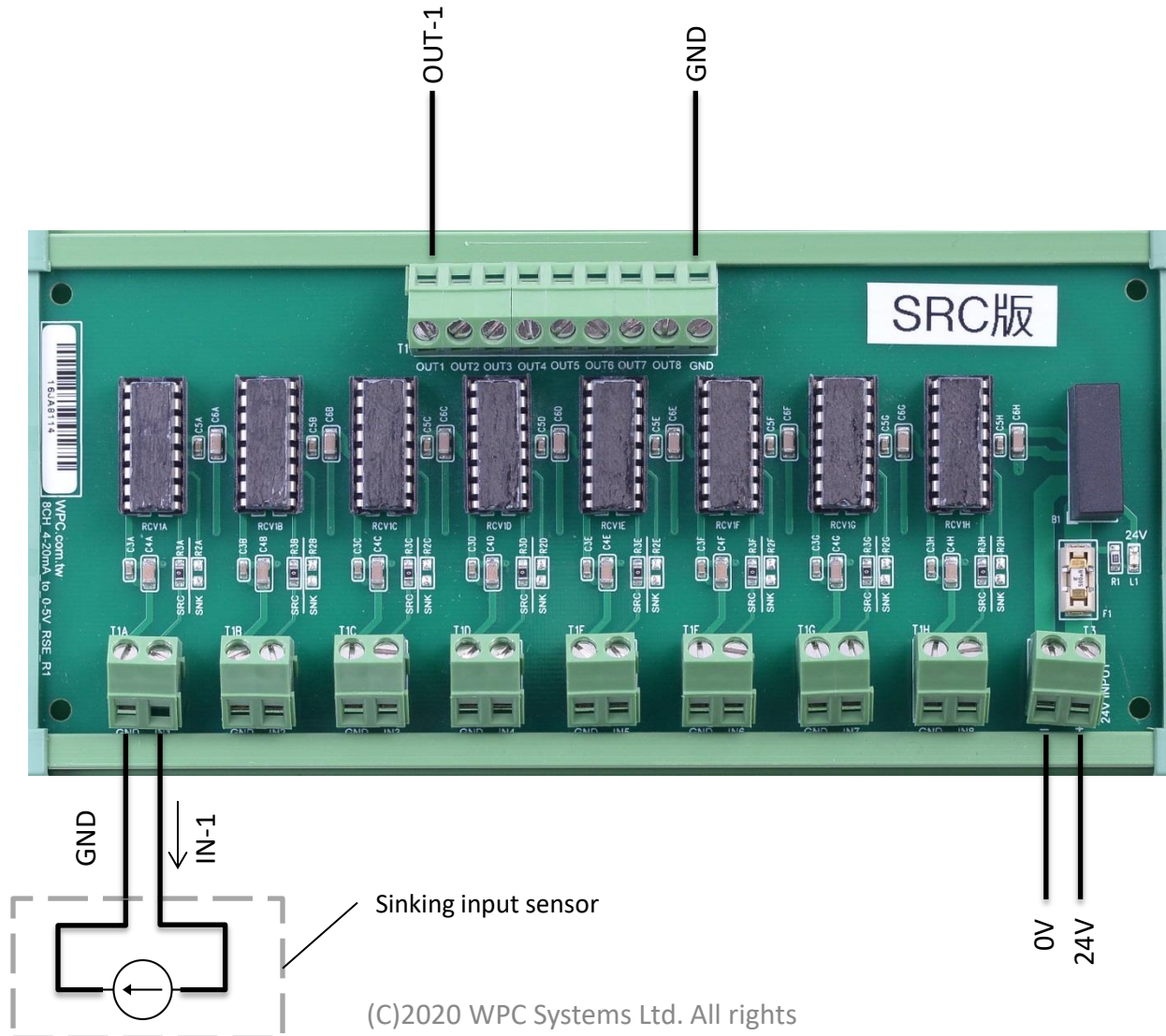
- Num of channel: 8
- Input: 4-20mA
- Output: 0-5V (single-ended)
- Overall conversion accuracy: 0.1%
- CMR: 86dB
- Power supply: 24VDC
- Channel-to-Power isolation

Appearance

1. Input 與 output 的 GND 是相連的
2. Signal GND 與 0V 是隔離的



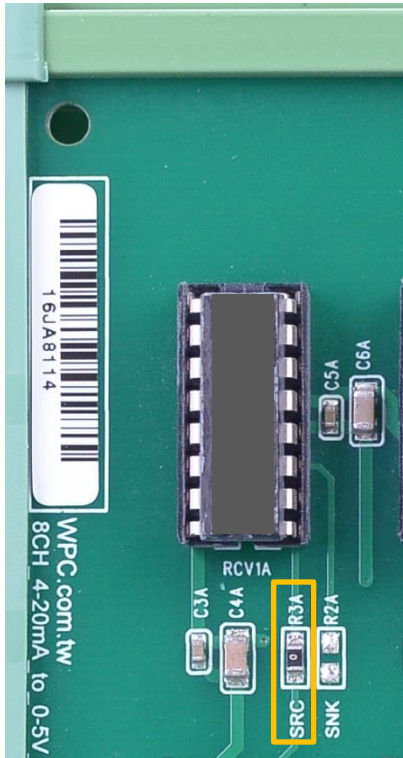
Typical connection



(C)2020 WPC Systems Ltd. All rights reserved.

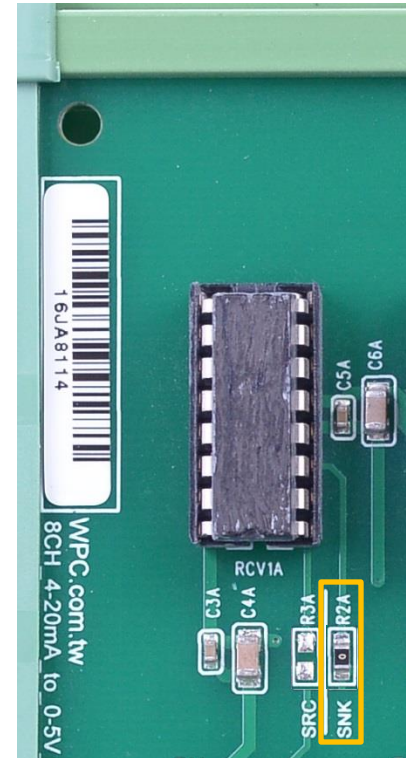
Module Types

Sourcing input version



- R3電阻的上件位置
- 模組本身標示SRC字樣

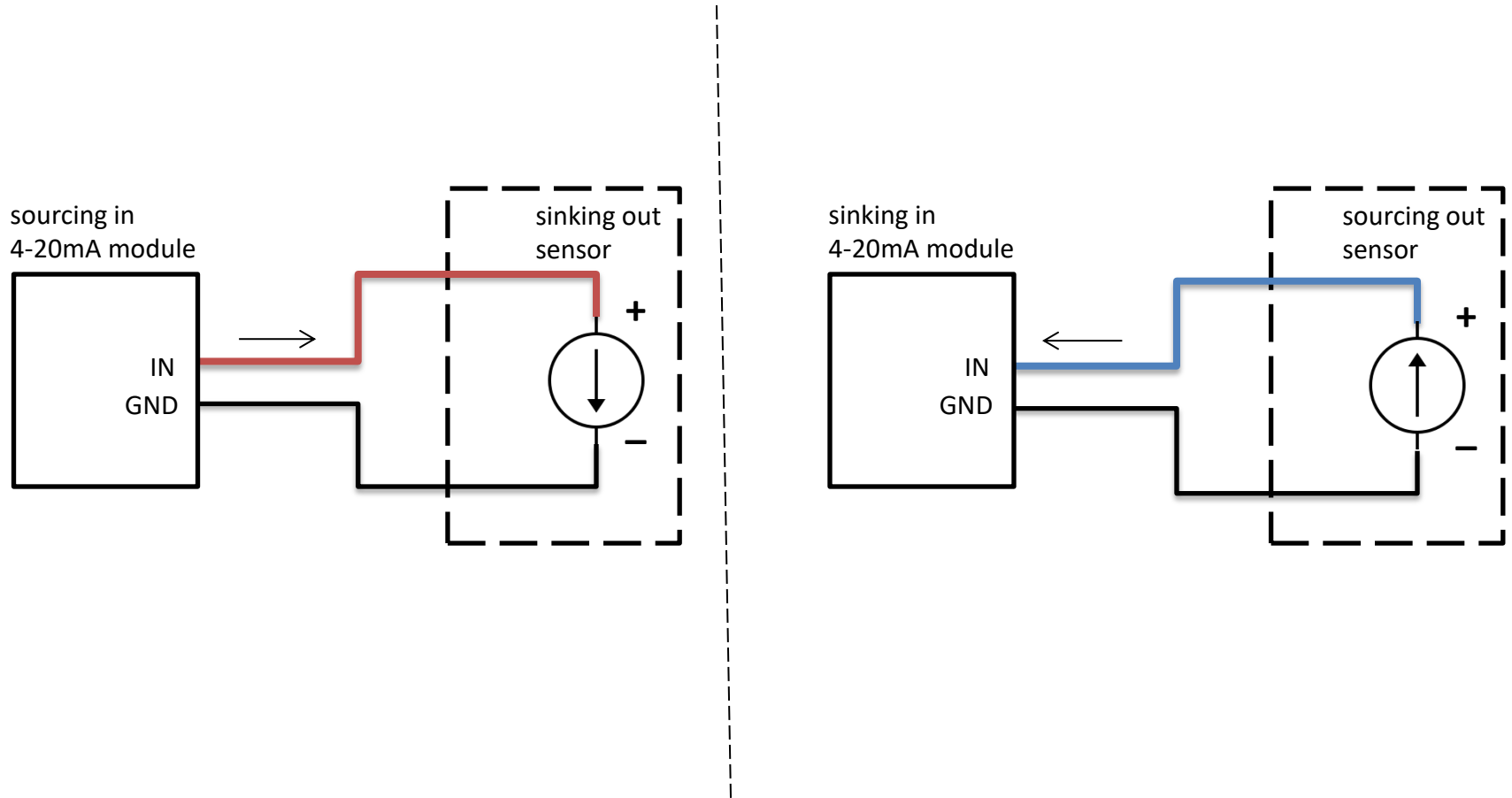
Sinking input version



- R2電阻的上件位置
- 模組本身標示SNK字樣

Module selection

Sinking vs. sourcing



Dimension

