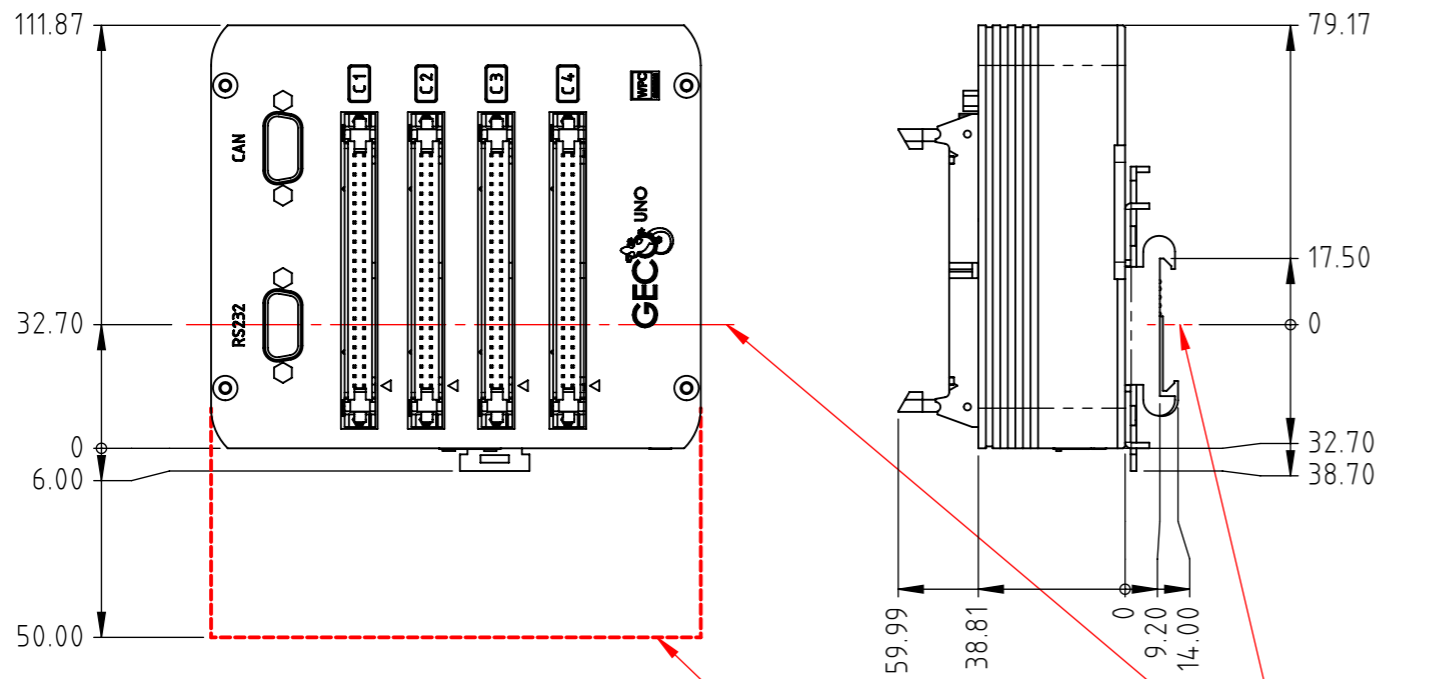
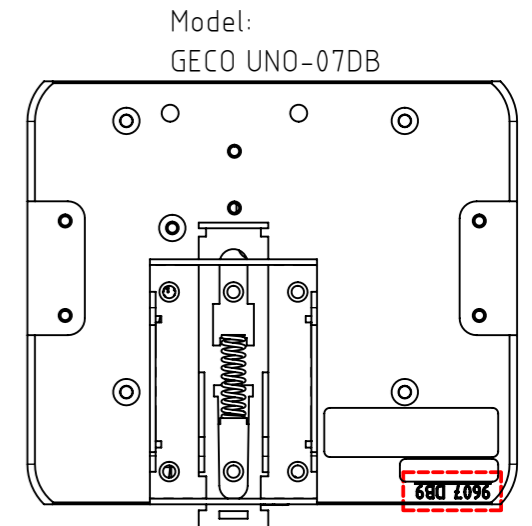
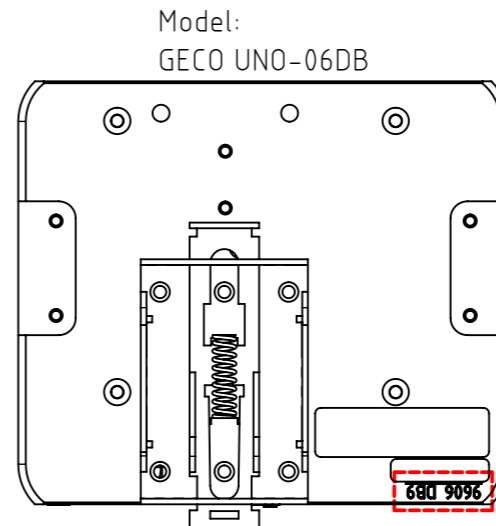
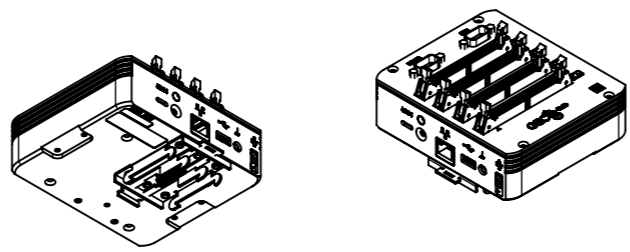
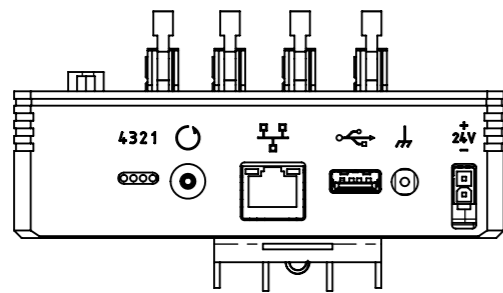


1.此圖面為 GECO UNO-06DB / GECO UNO-07DB, 含 DIN rail (IEC 60175) 安裝座之外部尺寸圖.



建議面板接線  
保留空間

☐ DIN rail



DIN ISO 2768 tolerances					NAME	DATE	WPC SYSTEMS	WPC Systems Ltd.	
Linear Rng.	f (fine)	m (medium)	c (coarse)	DRAWN	Carl	2020-03-10			
0.5	3	±0.05	±0.1	±0.2	CHECKED		TITLE		
3	6	±0.05	±0.1	±0.3	ENG APPR		GECO UNO-06DB		
6	30	±0.1	±0.2	±0.5	MGR APPR		SIZE	P/No.	
30	120	±0.15	±0.3	±0.8	Projection		A3	Tmp.	REV
120	400	±0.2	±0.5	±1.2	UNIT: Metric	Metric-mm, g, sec Imperial-inch, lb, sec	FILE NAME: GECO_UNO-DB9_out-assem-DIN_rail_installa		TA
400	1000	±0.3	±0.8	±2.0	Tolerances unless otherwise specified: DIN-ISO-2768-mk		SCALE: 1:2	WEIGHT:	SHEET 1 OF 1
1000	2000	±0.5	±1.2	±3.0					