

WPC-16-VOLT-ATTN-1

WPC Systems Ltd.

Justin Wu

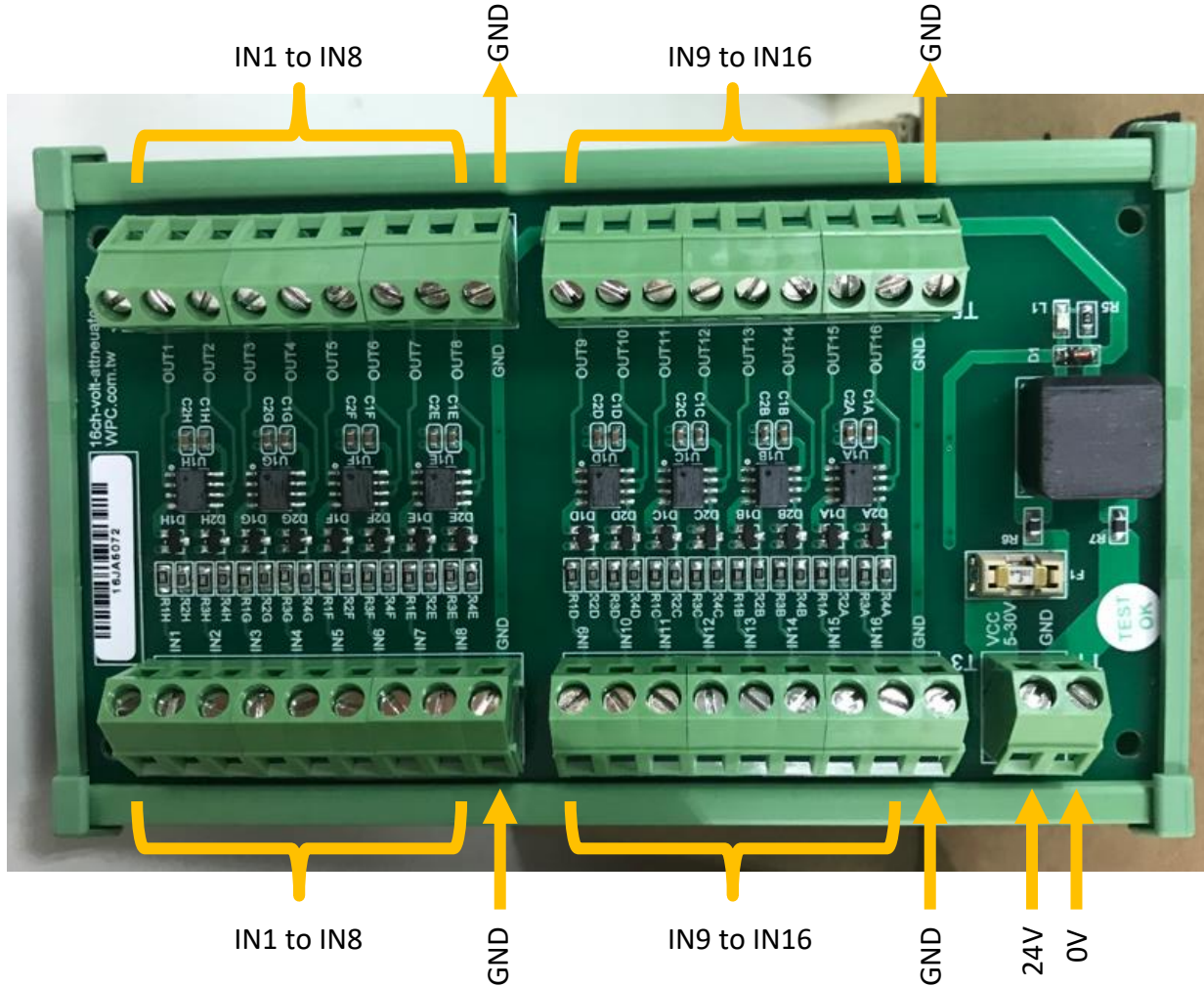
2023-05-15



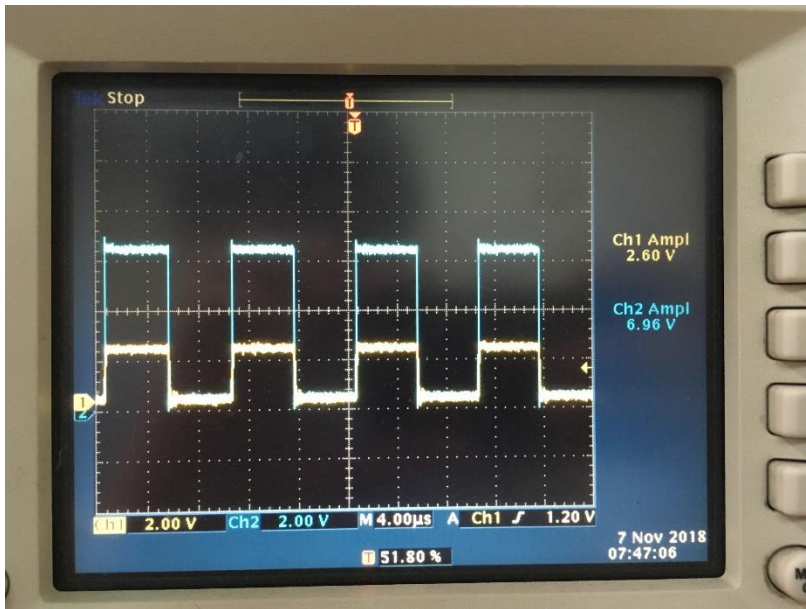
Specification

- Power supply: 5-30V (Typ. 24V)
- Input voltage range: $V_{cc} - 0.2$
- Output voltage range: $V_{cc} - 0.2$
- Gain: 1/3
- Bandwidth: 1MHz
- Isolation: Non-isolated
- Temperature range: -40 to 85 degC

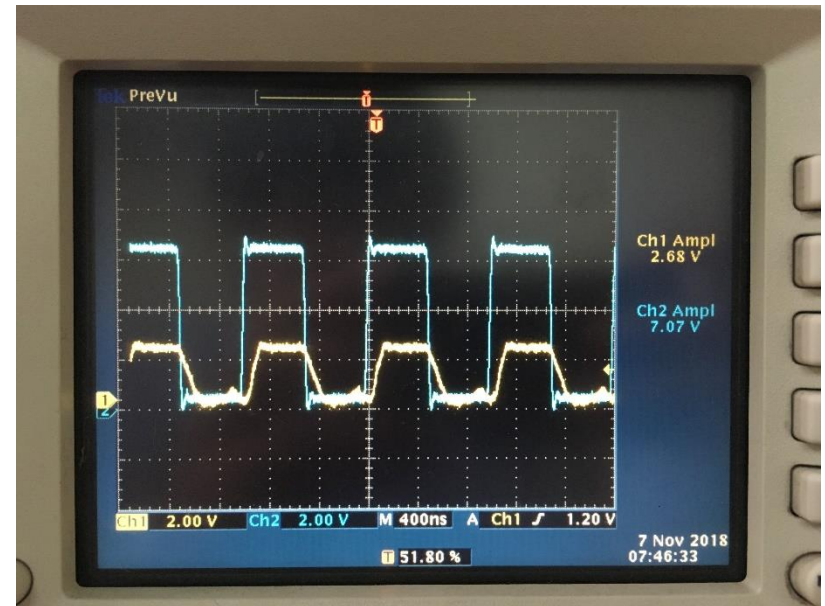
Signal connection



Test results



Waveform: Square wave
Amplitude: 7V
Frequency: 200KHz



Waveform: Square wave
Amplitude: 7V
Frequency: 2MHz

Dimensional drawing

