

Low Pass Filter module User manual

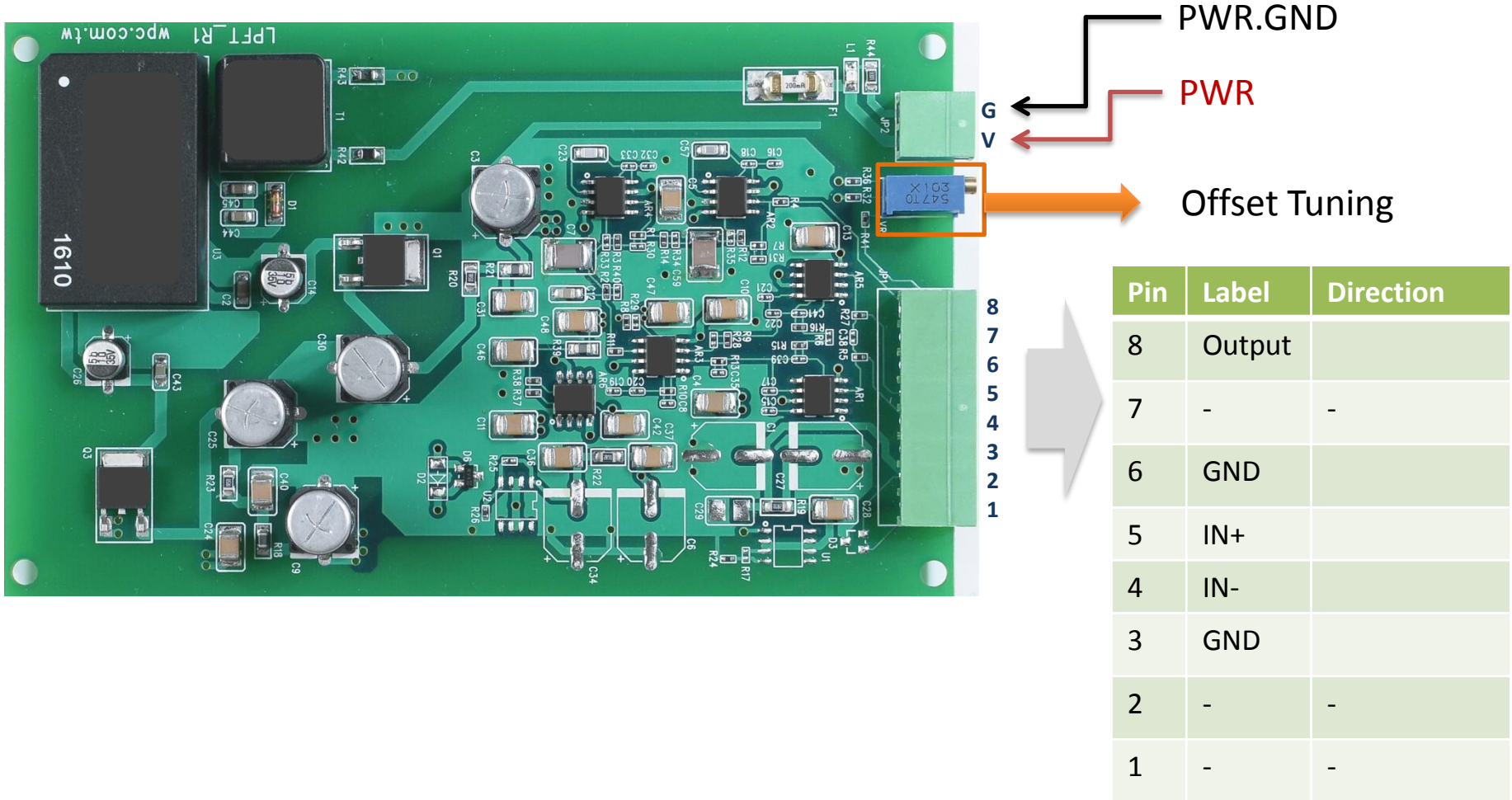
WPC Systems Ltd.

YHC, Justin

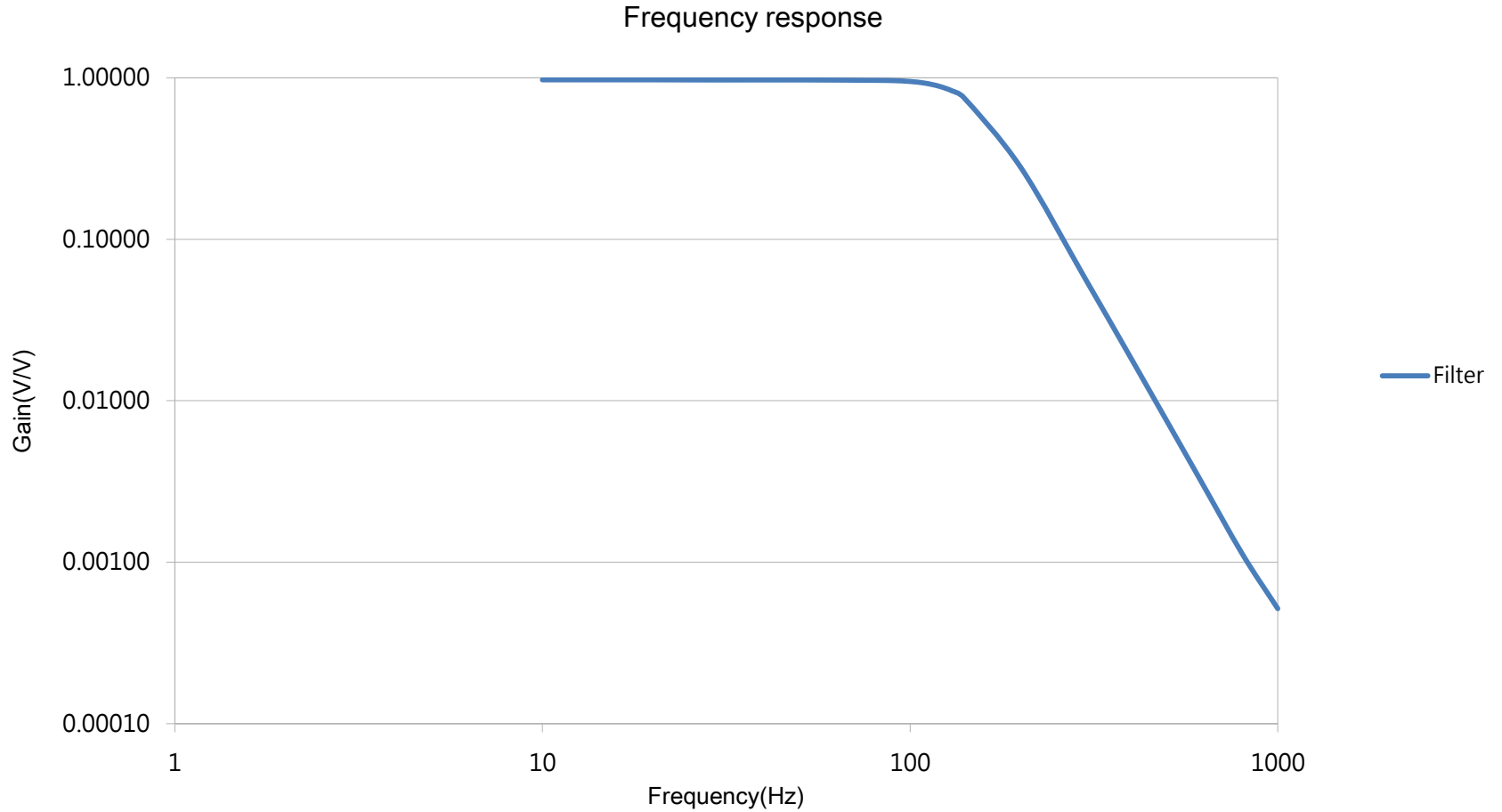
2016-11-29



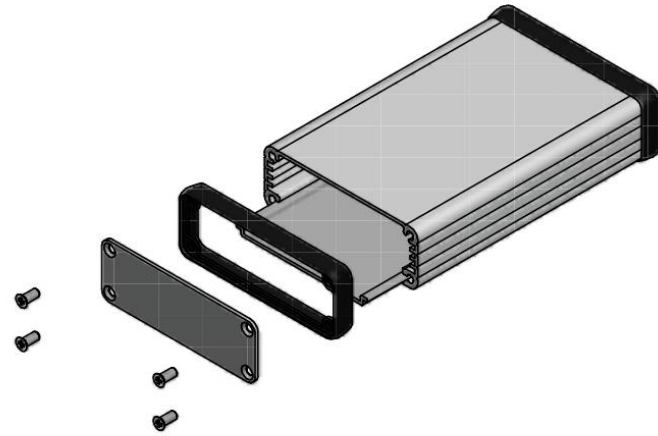
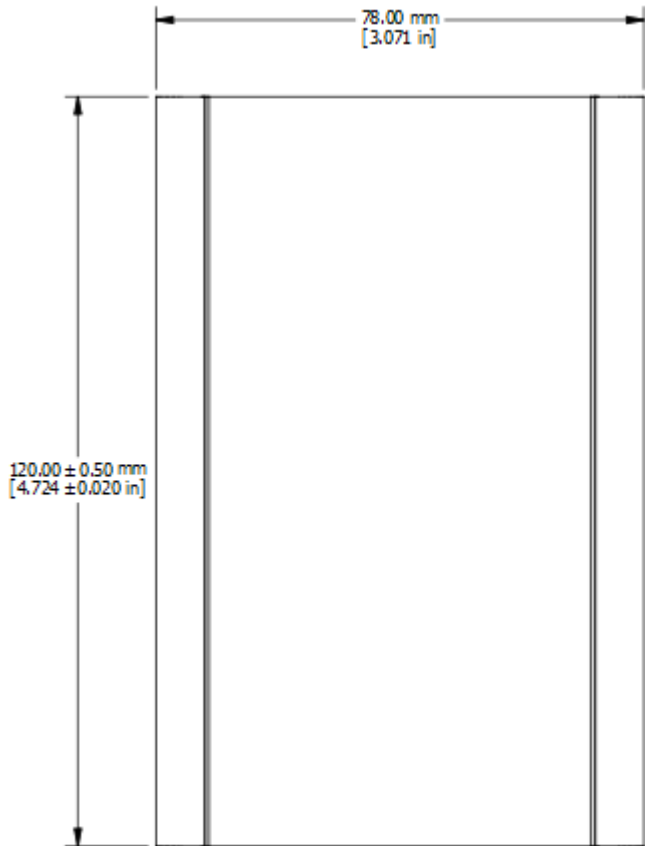
1.1. Connector Pinouts



Frequency response



Dimensional drawing



EXPLODED ASSEMBLY VIEW

